

**Born for Industrial Safety**



**Archer™** (NJZ-FEL-G Series)

**Hazardous Location LED Luminaire**

# Archer™

## Hazardous Location LED Luminaire

### NJZ-FEL-G Series



## Product description

The Archer™ NJZ-FEL-G Series LED Luminaire is designed for installations in hazardous area with presence of flammable gases or combustible dusts as defined by ATEX / IECEx for Zone 1/21 applications.

New generation is great for replacing of existing fluorescent lighting system and provide an incredible 100,000 (L70) maintenance free hours at 25°C.

## Features

- Low profile design allows installation in work areas with low ceiling heights
- Lens and LED driver field replaceable by qualified personnel on-site
- UV stable and impact resistant clear or diffused PC lens (standard) to minimize glare
- WAGO screwless terminal block with 5-pole 6mm<sup>2</sup> max conductor for easy wiring
- Single Lens model 20W to 40W; Double Lens model 40W to 100W
- High luminous efficacy - Up to 120 lm / W.
- Universal Voltage: AC120-277V (50/60Hz)
- Superior CRI75 compared to HPS, LPS, MH
- Ambient range from - 40°C to + 55°C ( -20°C to 50°C for Emergency Model )
- Standard 12W 90mins operation time for emergency mode ( 6W 180mins optional)
- Resistant to shock and vibration

## Compliance

### IEC/ATEX Standard

IECEX: Ex db eb mb IIC T6 Gb(20 to 60W)  
Ex db eb mb IIC T5 Gb(>60 to 100W)  
Ex tb IIIC T80°C Db

ATEX: II 2 G Ex db eb mb IIC T6 Gb(20 to 60W)  
II 2 G Ex db eb mb IIC T5 Gb(>60 to 100W)  
II 2 D Ex tb IIIC T80°C Db

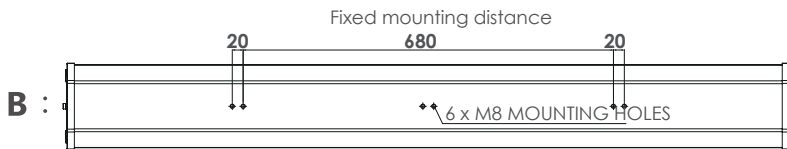
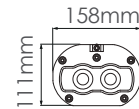
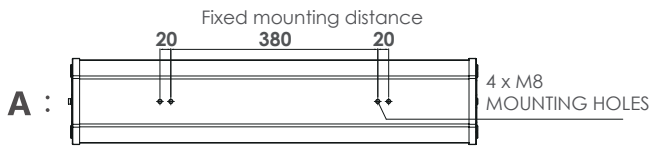
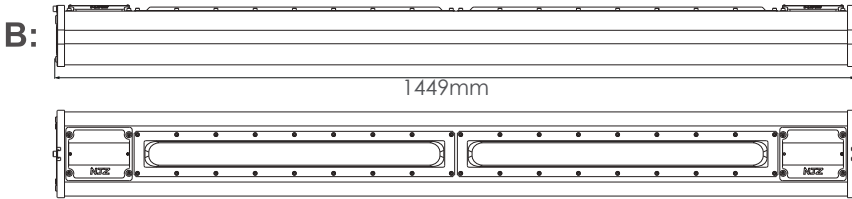
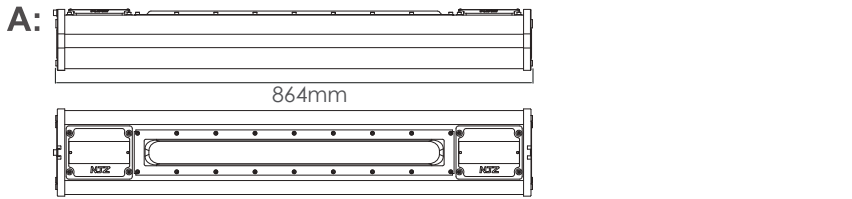
Zone 1,21  
CE EMC/LVD/EMF  
EN62471  
IP66  
IK10  
5G vibration  
1000hrs salt spray

## Application

- Power Plants
- Heavy Industrials Storage Facility
- Paper mills
- Wastewater Treatment Plants
- Loading Docks Platforms
- Shipyards
- Chemical Processing Facility
- Petrochemical Processing Facility

LED lumen Maintenance: L70> 150,000 Operation Hours@55°C

## Product Dimensions



unit: mm

Model	Net Weight (Product)	Product Dimension	Gross weight	Package Dimension (L×W×H)
<b>A: NJZ-FEL-G-20/30/40</b>	6.7kg	864×158×111 mm	7.7kg	920×220×170 mm
<b>B: NJZ-FEL-G-40/50/60/80/100</b>	9.9kg	1449×158×111 mm	12.6kg	1505×220×170 mm

## Technical Parameter

### Electrical

Specification		NJZ-FEL-G-20	NJZ-FEL-G-30	NJZ-FEL-G-40
Rated Power		20W	30W	40W
Input Voltage		AC120-277V		
Input Frequency		50/60Hz		
Input Current	(AC120V)	182mA	242mA	330mA
	(AC230V)	99mA	128mA	172mA
Power Factor		≥0.95		
Driver Efficiency		≥90%		
THD		<20%		
Surge Protection		6KV Line-to ground		
Battery material		Nickel-cadmium		
Expected battery*		3 Year		
Battery Duration*		Standard 12W 90mins@-20°C~+50°C( 6W 180mins optional)		

\*All values typical (tolerance +/-10%)

### Optical

Specification		NJZ-FEL-G-20	NJZ-FEL-G-30	NJZ-FEL-G-40
Lumen Output		2400Lm	3600Lm	4400Lm
Lumens Per Watt		120Lm/W*		
Beam Angle		110°		
Correlated Color Temperature (CCT)		2700K/4000K/5000K/5700K		
Color Rendering Index (CRI)		Ra>70		

\*value calculated based on 5000K ,varies to different spec

### Environmental

Specification		NJZ-FEL-G-20	NJZ-FEL-G-30	NJZ-FEL-G-40
Ambient Operating Humidity		5%~95% RH		
Ambient Operating Temperature		-40°C~+55°C(-40°F~+122°F) -20°C~+50°C(Emergency Model)		
Optimal Operating Temperature		25°C (77°F)		
Gas Environment		T6		
Dust Environment		T80°C		

### Mechanical

Specification		NJZ-FEL-G-20	NJZ-FEL-G-30	NJZ-FEL-G-40
Housing Material		Marine grade aluminum		
Endcap / Front cover		Copper-free (< 0.4%) die-cast aluminum		
Hardware		Stainless steel 316		
Color		Dark Grey (RAL7037)		
Finish		Polyster powder coating for uniform corrosion resistance		
Protection		IP66/IK10		
Lens Material		Polycarbonate		
Wiring		One access cover standard, two for through wiring		
Cable entries		4 x M25 - 2 at each end (standard, other optional)		
Termination		L,L1,L2,L3,N,PE; each Terminal 2x6mm <sup>2</sup> max		
Mounting		Ceiling (Flush mount ), Wall, Suspended (Chain /Eyebolt ), Pole		

## Technical Parameter

### Electrical

Specification		NJZ-FEL-G-50	NJZ-FEL-G-60	NJZ-FEL-G-80	NJZ-FEL-G-100
Rated Power		50W	60W	80W	100W
Input Voltage		AC120-277V			
Input Frequency		50/60Hz			
Input Current	(AC120V)	402mA	497mA	651mA	825mA
	(AC230V)	212mA	264mA	340mA	435mA
Power Factor		≥0.95			
Driver Efficiency		≥90%			
THD		<20%			
Surge Protection		6KV Line-to ground			
Battery material		Nickel-cadmium			
Expected battery*		3 Year			
Battery Duration*		Standard 12W 90mins@-20°C~+50°C( 6W 180mins optional)			

\*All values typical (tolerance +/-10%)

### Optical

Specification		NJZ-FEL-G-50	NJZ-FEL-G-60	NJZ-FEL-G-80	NJZ-FEL-G-100
Lumen Output		5500Lm	6800Lm	8700Lm	10000Lm
Lumens Per Watt		120Lm/W*			
Beam Angle		110°			
Correlated Color Temperature (CCT)		2700K/4000K/5000K/5700K			
Color Rendering Index (CRI)		Ra>70			

\*value calculated based on 5000K ,varies to different spec

### Environmental

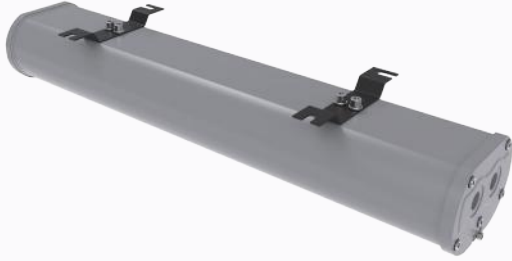
Specification		NJZ-FEL-G-50	NJZ-FEL-G-60	NJZ-FEL-G-80	NJZ-FEL-G-100
Ambient Operating Humidity		5%~95% RH			
Ambient Operating Temperature		-40°C~+55°C(-40°F~+122°F) -20°C~+50°C(Emergency Model)			
Optimal Operating Temperature		25°C (77°F)			
Gas Environment		T6		T5	
Dust Environment		T80°C			

### Mechanical

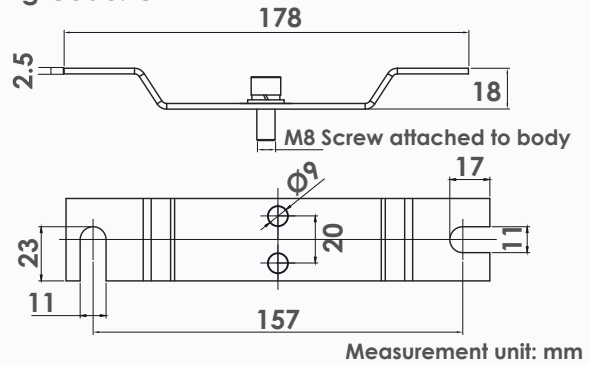
Specification		NJZ-FEL-G-50	NJZ-FEL-G-60	NJZ-FEL-G-80	NJZ-FEL-G-100
Housing Material		Marine grade aluminum			
Endcap / Front cover		Copper-free (< .4%) die-cast aluminum			
Hardware		Stainless steel 316			
Color		Dark Grey (RAL7037)			
Finish		Polyster powder coating for uniform corrosion resistance			
Protection		IP66/IK10			
Lens Material		Polycarbonate			
Wiring		One access cover standard, two for through wiring			
Cable entries		4 x M25 - 2 at each end (standard, other optional)			
Termination		L,L1,L2,L3,N,PE; each Terminal 2x6mm <sup>2</sup> max			
Mounting		Ceiling (Flush mount ), Wall, Suspended (Chain /Eyebolt ), Pole			

## Mounting

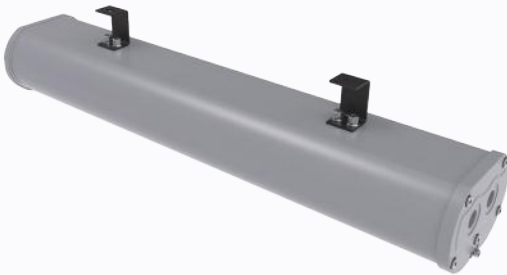
### Low Ceiling Mount Bracket



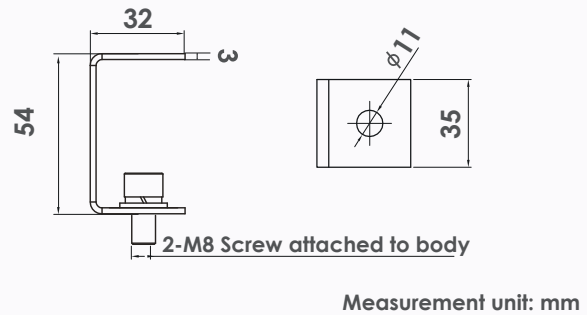
Ordering Code: CB-L1



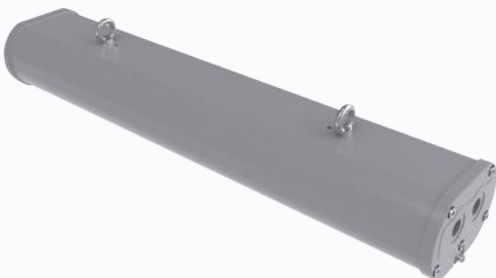
### High Ceiling Mount Bracket



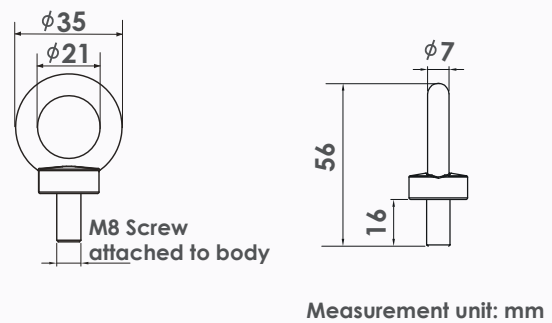
Ordering Code: CB-H1



### Eyebolt Mount



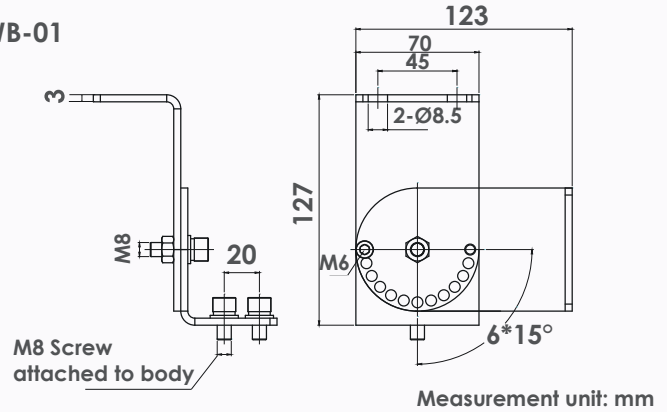
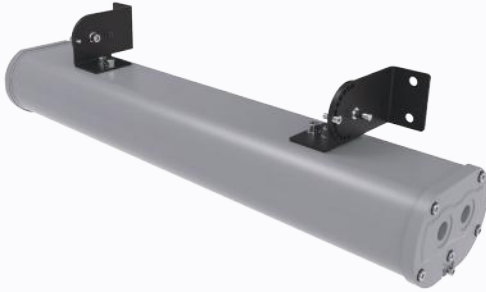
Ordering Code: EB-1



## Mounting

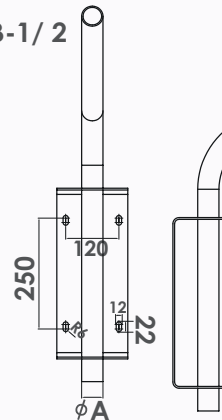
### Wall Mount Swivel Bracket

Ordering Code: WB-01



### Wall mounting outreach bracket

Ordering Code: WOB-1/ 2

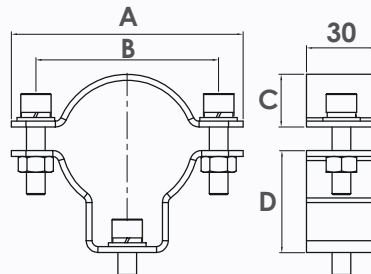
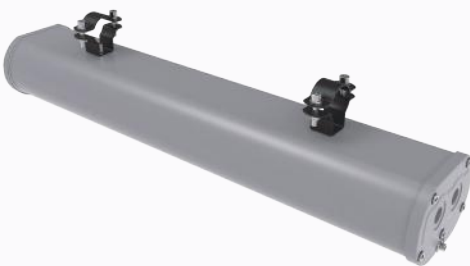


A	B	
	WOB-1	WOB-2
Dia 40-45mm range	800	1500
Dia 47-51mm range		
Dia 54-57mm range		
Dia 58-62mm range		

Measurement unit: mm

### Pole Mount Clamp

Ordering Code: PC-48/60

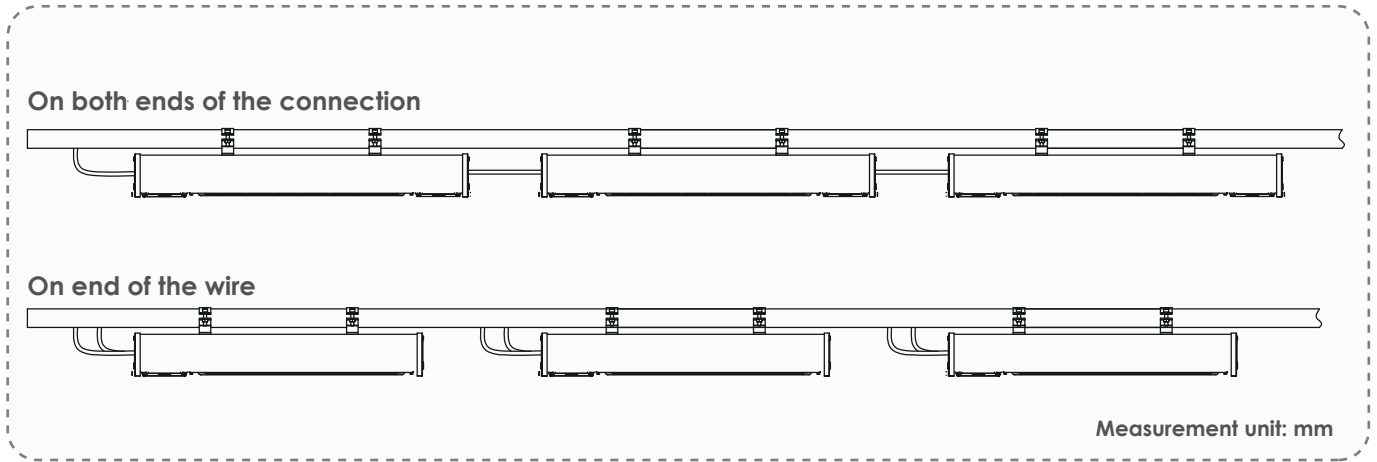


Code	Description	A	B	C	D
PC-48	Dia 40-51mm range	92	72	18	42
PC-60	Dia 54-62mm range	105	84	28	46

Measurement unit: mm

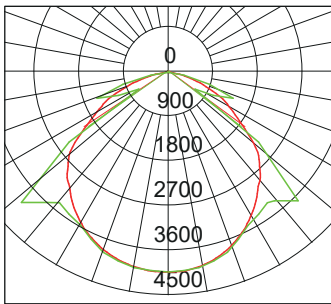
# Through Wiring

In-out connection can be made on one or both sides for quick installation



# Photometric

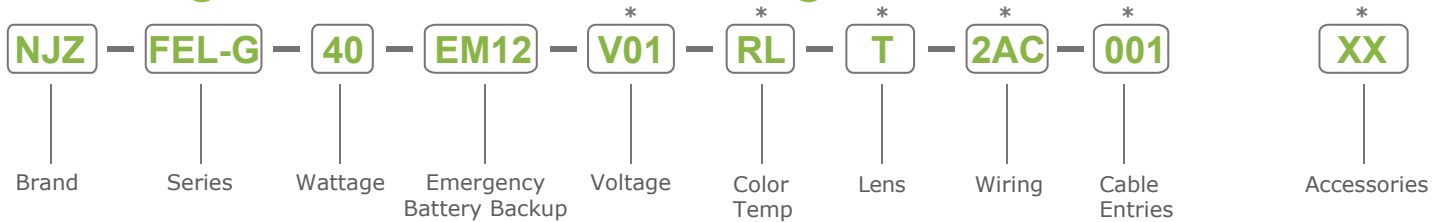
110 Degree



— V 0.0DEG PLAN, 112.1  
— H 0.0DEG PLAN, 109.1



## Ordering Information and Mounting Accessories



\*: Suffix not within nomenclature as per Certification, for marketing purpose only

<u>BRAND</u>	<u>SERIES</u>	<u>WATTAGE</u>	<u>EMERGENCY BATTERY BACKUP</u>	<u>VOLTAGE</u>
NJZ	FEL-G	20=20W 30=30W 40=40W* 50=50W 60=60W 80=80W 100=100W (*please specify if single or double Lens)	BLANK=Standard (Non Emergency) EM6=6W 180mins EM12=12W 90mins (Emergency Standard) *Emergency models standard with Single Access Cover(-1AC)	V01= AC120-277V

<u>COLOR TEMP</u>	<u>LENS TYPE</u>	<u>WIRING</u>	<u>CABLE ENTRIES*</u>
RN= 2700K RL= 4000K RZ= 5000K RM=5700K RD=Red GN=Green BU=Blue AM=Amber	T=Transparent PC F=Frosted PC	2AC= Dual Access Cover	001 = 4 X M20 X 1.5 002 = 4 X M25 X 1.5 (Standard) 003 = 4 X NPT 1/2 004 = 4 X NPT 3/4 *Contact sales for selection of cable diameter or specsheet of plug and cable gland

### ACCESSORIES

CB-L1=Low Ceiling Mount Bracket 1 pair  
 CB-H1=High Ceiling Mount Bracket 1 pair  
 EB-1=Eyebolt 1 pair  
 WB-01=Wall Mount Swivel Bracket 1 pair  
 WOB-1=0.8M wall mounting outreach bracket x1  
 WOB-2=1.5M wall mounting outreach bracket x1  
 PC-48=Dia 40-51mm range SS316 pole clamp 1 pair  
 PC-60=Dia 54-62mm range SS316 pole clamp 1 pair  
 SC05=3ft. safety Cable kit  
 R-D40=Replacement Driver x1 (20~40W models)  
 R-D60=Replacement Driver x1 (50~60W models)  
 R-D100=Replacement Driver x1 (70~100W models)  
 R-T=Replacement PC Lens, clear x1  
 R-F=Replacement PC Lens, frosted x1  
 R-B=Replacement Battery Pack x1

### INSTALLATION TIPS

#### **1.Wago Termination**

Conductor range: 0.5 ... 4 (6) mm<sup>2</sup> (20 ... 10 AWG)  
 Rated voltage: 800 V  
 Rated current/(max. current): 32 A (41 A)

#### **2.Cable gland & Plug**

Standard: Plastic plugs x1 + Plastic Cable gland x1  
 for 1AC= Single Access Cover  
 Standard: Plastic plugs x3 + Plastic Cable gland x1  
 for 2AC= Dual Access Cover  
 Optional: Contact sales for other selections

#### **3.Dimming**

Standard: 0-10V Dimming (10-100%)

#### **4.Emergency**

Auto self-diagnostics function applied  
 minimum 30 seconds test once a week to verify  
 the status as per LED indicator





**CB-L1**

Low Ceiling Mount  
Bracket 1 pair



**CB-H1**

High Ceiling Mount  
Bracket 1 pair



**EB-1**

Eyebolt 1 pair



**WB-01**

Wall Mount Swivel  
Bracket 1 pair



**WOB-1/2**

wall mounting  
outreach bracket x1



**PC-48/60**

SS316 pole clamp 1 pair



**SC05**

Stainless Steel  
Safety Cable kit



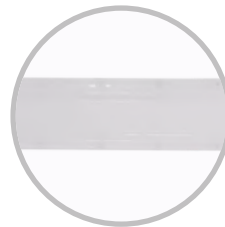
**R-D40/D60/D100**

Replacement Driver x1



**R-T**

Replacement PC Lens,  
clear x1



**R-F**

Replacement PC Lens,  
frosted x1



**R-B**

Replacement Battery Pack x1