



Explosion-protected electrical equipment
Aluminium enclosures



**TO BE SAFE PRODUCT INDEED,
TO BE SAFE AREA IN NEED.**

To be safe product indeed,
To be safe area in need.

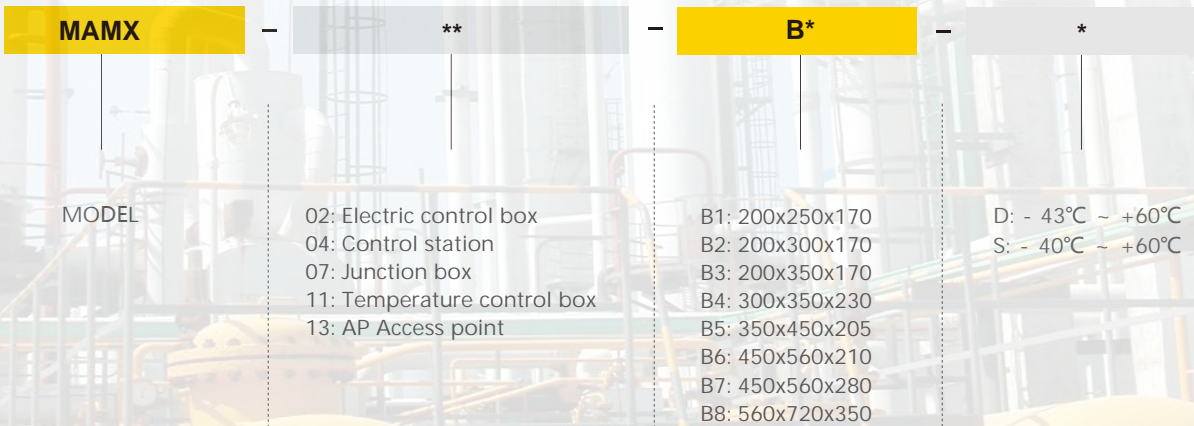
Explosion-proof enclosure MAMX-**-B*-*



- ✓ Used in chemical, oil refining, oil exploitation, offshore oil platforms, oil tankers, military and other hazardous areas.
- ✓ Suitable for controlling the temperature maintenance and the power supply of electric heating in the anti-freezing in hazardous area; Adopting different instruments and program control modules to control the temperature of the heating object so as to meet the requirements of different customers;
- ✓ Different installation methods such as hanging and floor-mounted installation and different incoming cables such as ordinary rubber and plastic cable, armored cable and heating cable.



Model Ordering Code:



Ordering code example: MAMX-02-B8-D

General technical parameters

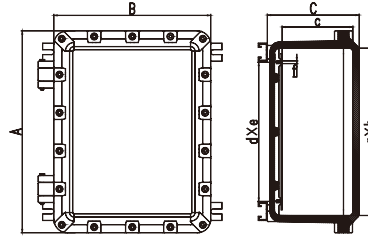
Explosion protection marking	ATEX (TPS 20ATEX 106819 0002 X Rev.00)	IECEX (IECEX NEP 20.0007X)
Gas explosion protection	II 2G Ex db IIB+H2 T6...T4 Gb	Ex db IIB+H2 T... Gb
Dust explosion protection	II 2D Ex tb IIIC T80°C, T95°C T135°C Db IP66	Ex tb IIIC T...°C Db IP66
Ambient temperature	Ta: - 43°C ~ +60°C (MAMX-**-D) Ta: - 40°C ~ +60°C (MAMX-**-S)	
Conformity to standard	IEC 60079- 0:2017, IEC 60079- 1:2004- 06, IEC 60079- 31:2013 EN IEC 60079- 0:2018, IEC 60079- 1:2004, IEC 60079- 31:2014	
Enclosure material	Copper free aluminium alloy	
Coating and color	Marine grade coating, international standard color RAL7037	
Built- in components:	MCB, MCCB, AC contactor, Thermal Relay, MTH,SHK-M, Auxiliary Relay, Time Relay, SSR, PLC, Mutual inductor, FU,Frequency Converter, Soft Starter, lighting control modules. Note: Above leakage circuit breaker fully realize self-rest within enclosure without opening the front cover.	
Built- in instrument	Different display instruments such as programmable logic controllers, thermostat, ammeter and voltmeter. Note: Above instruments can be viewed and operated.	

To be safe product indeed,
To be safe area in need.

Explosion-proof enclosure MAMX-**-B*-*

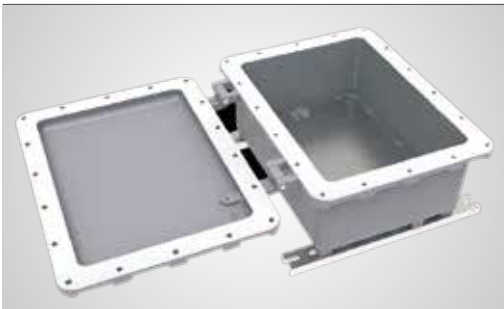


II B+H2 installation schematic dimension and difference



MAMX-**-B*-* II B+H2

Flame-proof joint structure

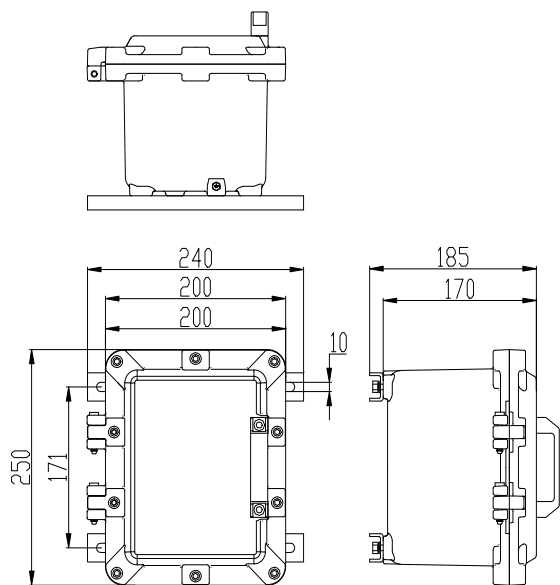


MAMX-**-B*-* II B+H2

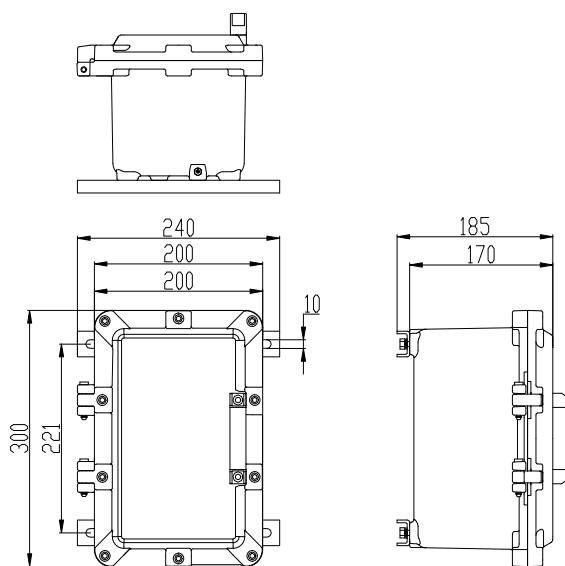
Selection table of II B+H2 appearance dimension MAMX-**-B*-*

Version	Appearance dimensions			Inner space dimensions			Bottom installing holes dimensions			Installing bracket dimensions		
	A	B	C	a	b	c	d	e	f	D	E	F
B1	250	200	170	180	130	128	124	90	M6	171	210	10
B2	300	200	170	230	130	128	174	90	M6	221	210	10
B3	350	200	170	280	130	128	224	90	M6	271	210	10
B4	350	300	230	288	238	190	218	148	M6	255	310	10
B5	450	350	205	370	270	158	310	200	M6	355	360	12
B6	560	450	210	480	370	159	390	300	M6	465	440	14
B7	560	450	280	480	370	229	390	300	M6	465	440	14
B8	720	560	350	629	470	294	550	408	M6	600	550	14

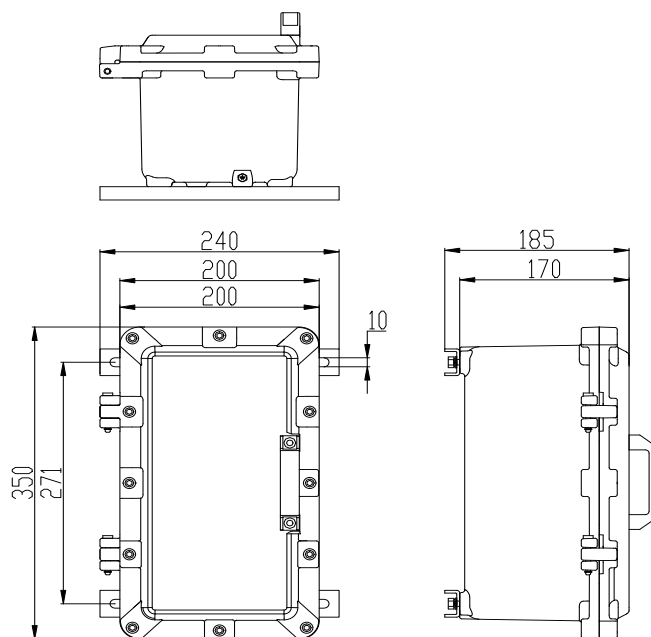
Each code corresponds to the actual external dimension drawing



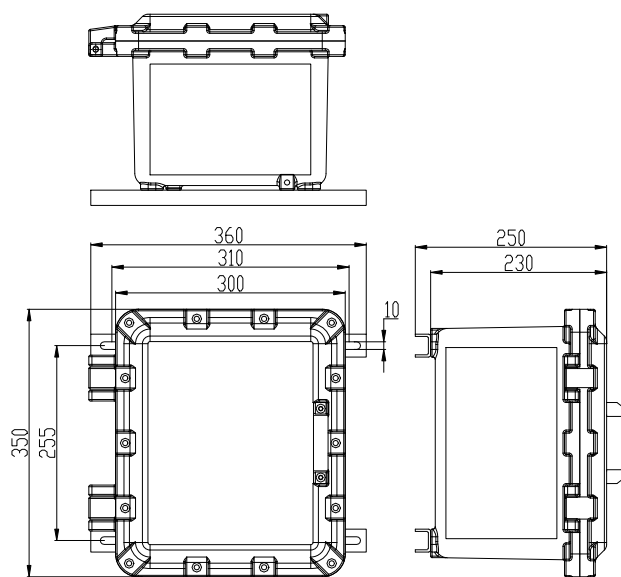
MAMX-**-B1-*



MAMX-**-B2-*



MAMX-**-B3-*



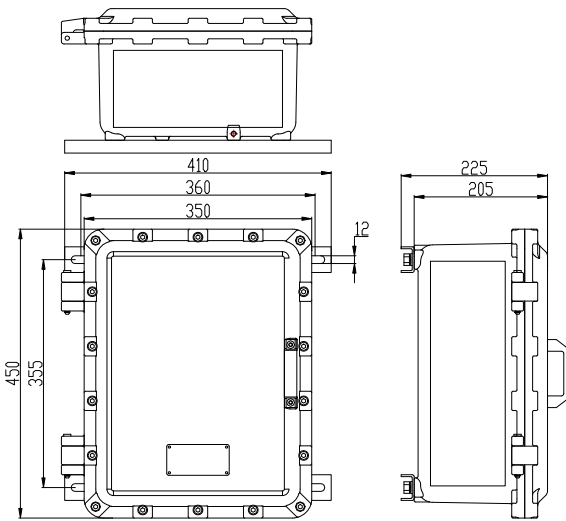
MAMX-**-B4-*

To be safe product indeed,
To be safe area in need.

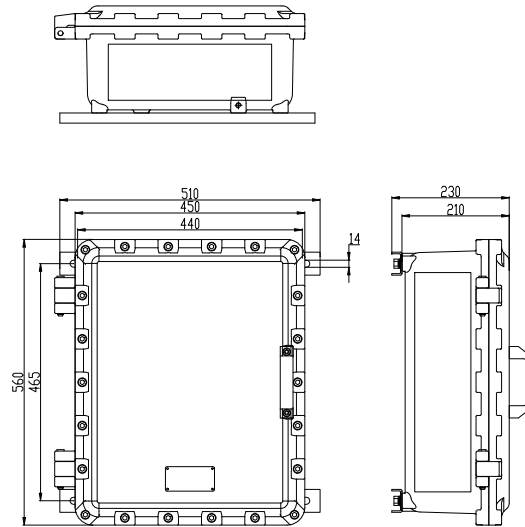
Explosion-proof enclosure MAMX-**-B*-*



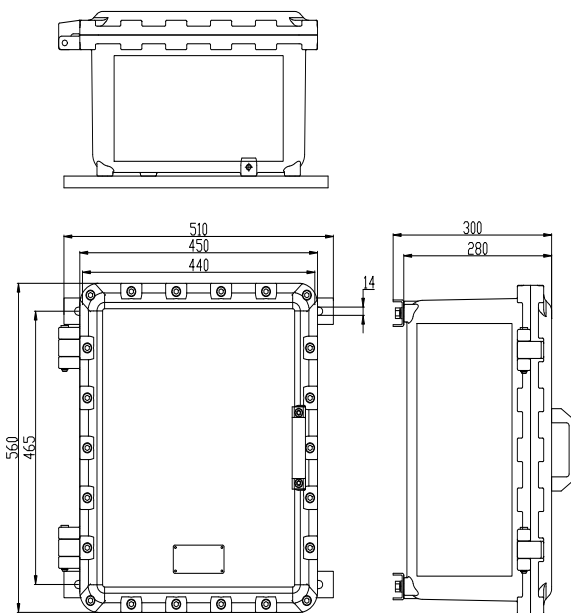
Each code corresponds to the actual external dimension drawing



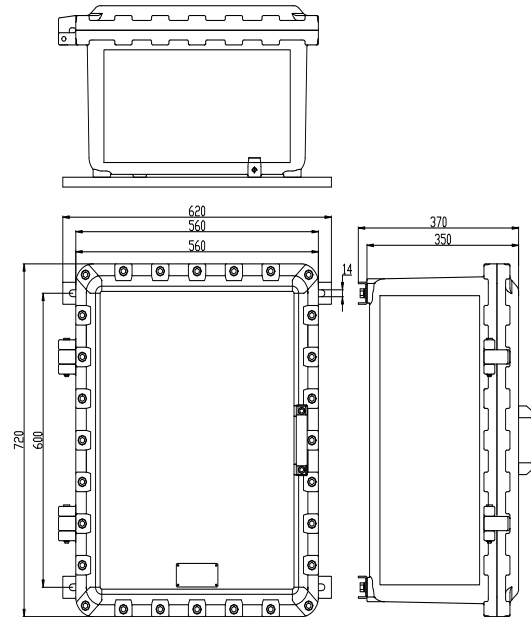
MAMX-**-B5-*



MAMX-**-B6-*



MAMX-**-B7-*



MAMX-**-B8-*

Explosion-proof enclosure MAMX-**-C*-*



- ✓ Used in chemical, oil refining, oil exploitation, offshore oil platforms, oil tankers, military and other hazardous areas.
- ✓ Suitable for controlling the temperature maintenance and the power supply of electric heating in the anti-freezing in hazardous area; Adopting different instruments and program control modules to control the temperature of the heating object so as to meet the requirements of different customers;
- ✓ Different installation methods such as hanging and floor-mounted installation and different incoming cables such as ordinary rubber and plastic cable, armored cable and heating cable.



Model Ordering Code:

MAMX

C*

MODEL

03: Electric control box (C2,C3)
 05: Control station (C2,C3)
 06: Terminal boxes (C1)
 08: Junction box (C2,C3)
 12: Temperature control box (C2,C3)
 14: AP access point (C2,C3)

C1: 108x108x75
 C2: 161x161x109
 C3: 360x360x195

D: - 43°C ~ +60°C
 S: - 40°C ~ +60°C

Ordering code example: MAMX-08-C2-D

To be safe product indeed,
To be safe area in need.

Explosion-proof enclosure MAMX-**-C*-*



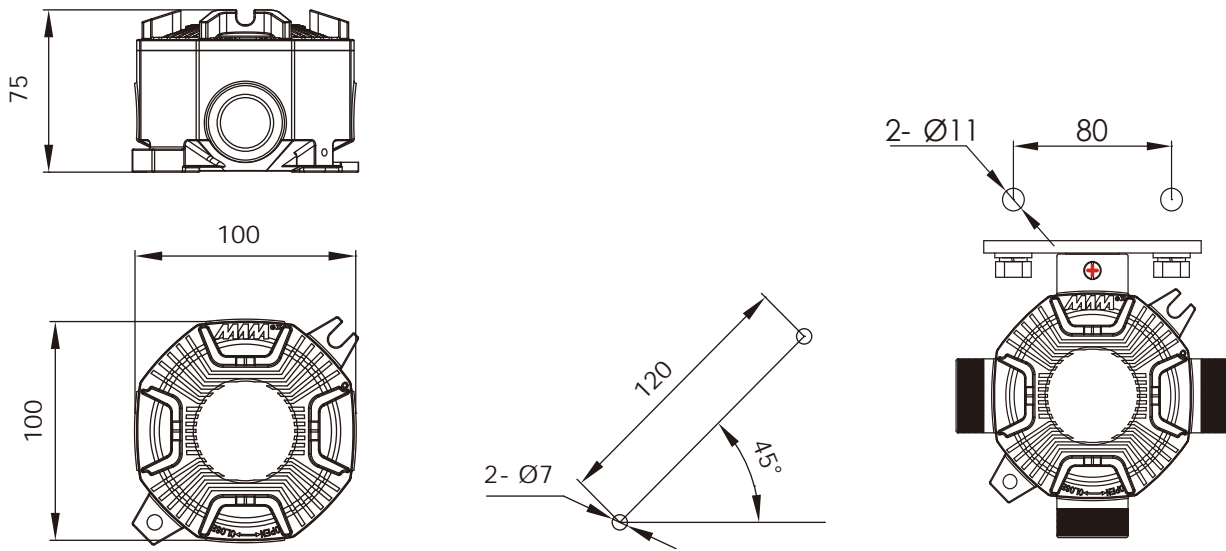
General technical parameters

Explosion protection marking	ATEX (TPS 20ATEX 106819 0002 X Rev.00)	IECEX (IECEX NEP 20.0007X)
Gas explosion protection		Ex db IIC T... Gb
Dust explosion protection	II 2G Ex db IIC T6...T4 Gb II 2D Ex tb IIIC T80°C, T95°C T135°C Db IP66	Ex tb IIIC T...°C Db IP66
Ambient temperature	Ta: - 43°C ~ +60°C (MAMX-**-D) Ta: - 40°C ~ +60°C (MAMX-**-S)	
Conformity to standard	IEC 60079- 0:2017, IEC 60079- 1:2004- 06, IEC 60079- 31:2013 EN IEC 60079- 0:2018, IEC 60079- 1:2004, IEC 60079- 31:2014	
Enclosure material	Copper free aluminium alloy	
Coating and color	Marine grade coating, international standard color RAL7037	
Built- in components:	MCB, MCCB, AC contactor, Thermal Relay, MTH,SHK-M, Auxiliary Relay, Time Relay, SSR, PLC, Mutual inductor, FU,Frequency Converter, Soft Starter, lighting control modules. Note: Above leakage circuit breaker fully realize self-rest within enclosure without opening the front cover.	
	Different display instruments such as programmable logic controllers, thermostat, ammeter and voltmeter Note: Above instruments can be viewed and operated	

Each code corresponds to the actual external dimension drawing

Non-straight through outline

MAMX-C1***



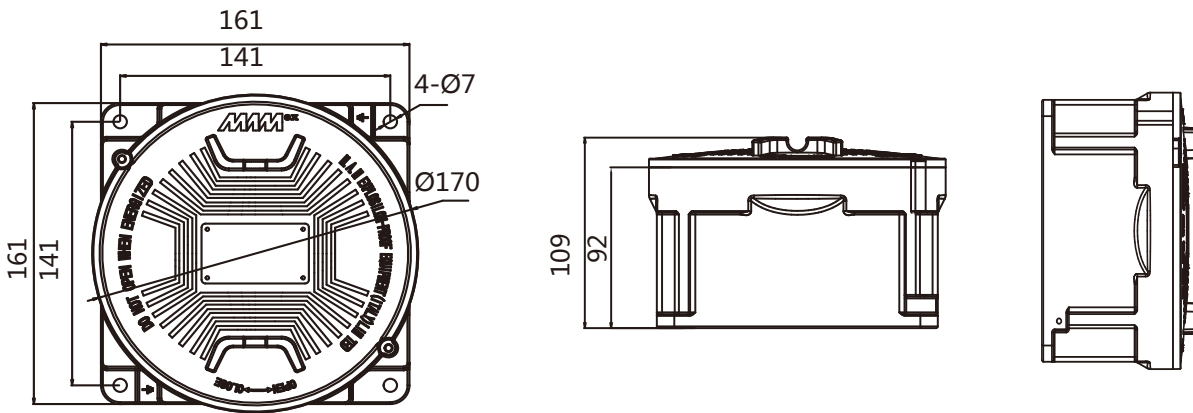
To be safe product indeed,
To be safe area in need.

Explosion-proof enclosure MAMX-**-C2-*

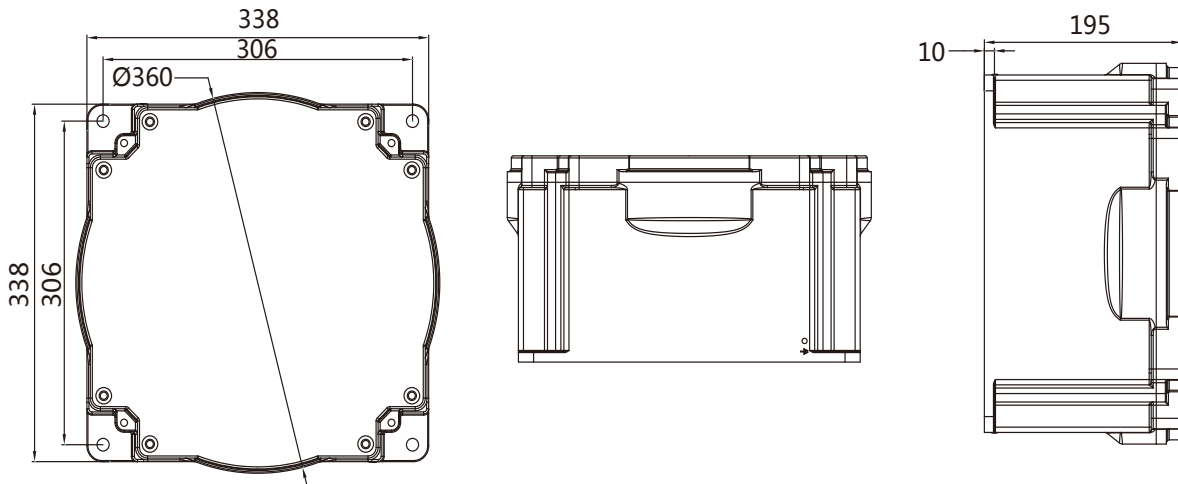


Each code corresponds to the actual external dimension drawing

MAMX-**-C2-*



MAMX-**-C3-*



Explosion-proof enclosure MAMX-**- A*-*



- Used in chemical, oil refining, oil exploitation, offshore oil platforms, oil tankers, military and other hazardous areas.

- Suitable for controlling the temperature maintenance and the power supply of electric heating in the anti-freezing in hazardous area; Adopting different instruments and program control modules to control the temperature of the heating object so as to meet the requirements of different customers;

- Different installation methods such as hanging and floor-mounted installation and different incoming cables such as ordinary rubber and plastic cable, armored cable and heating cable.



** Cable glands/ blind plugs sold separately

Model Ordering Code:

MAMX	-	**	-	A*	-	*
MODEL		09: Pushbutton box (A1,A2,A3) 10: Lighting switch (A1,A2,A3)		A1: 102x92x93 A2: 157x105x93 A3: 212x105x93		D: - 43°C ~ +60°C S: - 40°C ~ +60°C

Ordering code example: MAMX-09-A3-D

To be safe product indeed,
To be safe area in need.



Explosion-proof enclosure MAMX-**- A*-*

General technical parameters

Explosion protection marking	ATEX (TPS 20ATEX 106819 0002 X Rev.00)	IECEX (IECEX NEP 20.0007X)
Gas explosion protection		Ex db IIB T... Gb
Dust explosion protection	II 2G Ex db IIB T6...T4 Gb II 2D Ex tb IIIC T80°C, T95°C T135°C Db IP66	Ex tb IIIC T...°C Db IP66
Ambient temperature	Ta: - 43°C ~ +60°C (MAMX-**-D) Ta: - 40°C ~ +60°C (MAMX-**-S)	
Conformity to standard	IEC 60079- 0:2017, IEC 60079- 1:2004- 06, IEC 60079- 31:2013 EN IEC 60079- 0:2018, IEC 60079- 1:2004, IEC 60079- 31:2014	
Enclosure material	Copper free aluminium alloy	
Coating and color	Marine grade coating, international standard color RAL7037	



LED indicator light



Illuminated push buttons with 1NO+1NC



Spring return push buttons with 1NO+1NC



LED indicator light



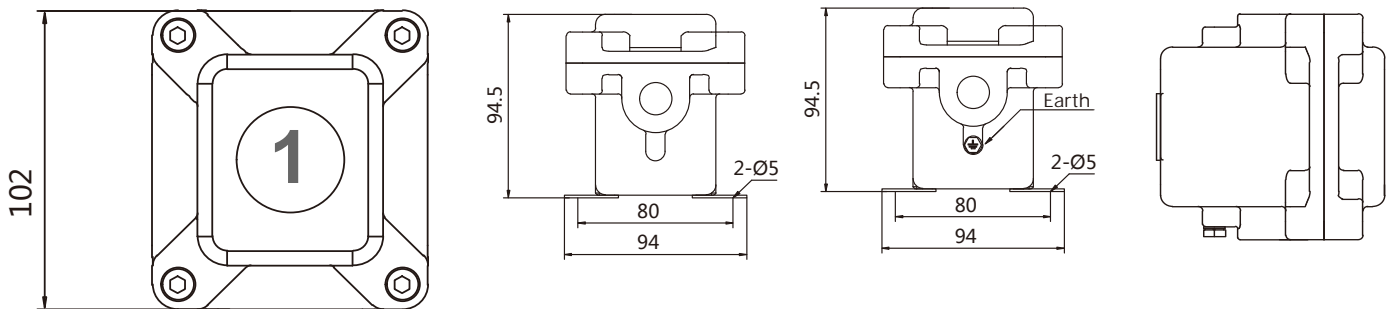
Controls with 1NO+1NC



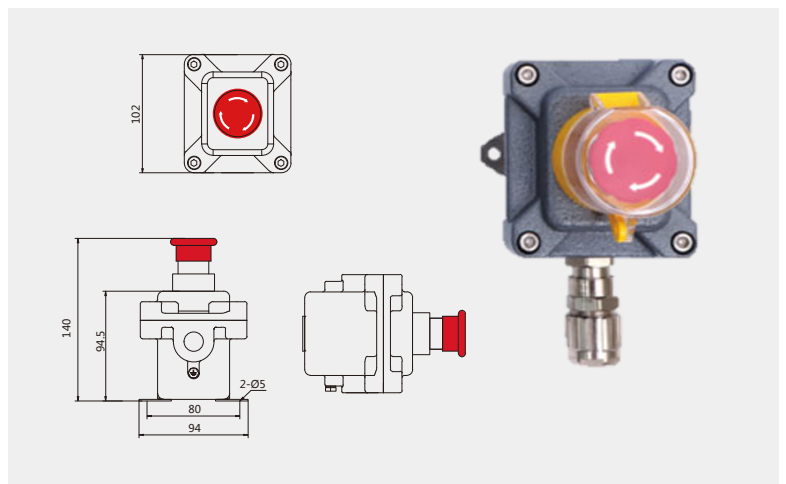
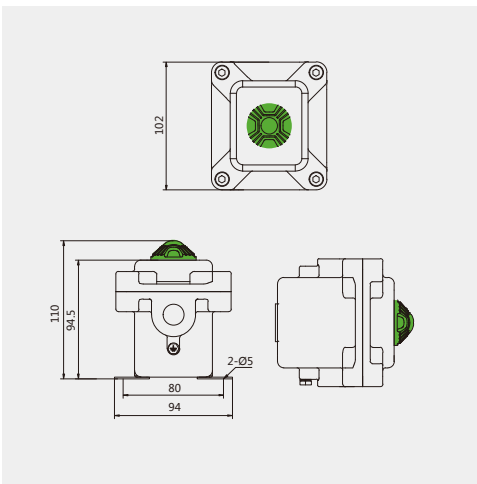
Each code corresponds to the actual external dimension drawing

MAMX^{}- A1^{*}-***

Enclosure with 1 installation position



Example:



** Cable glands/ blind plugs sold separately

To be safe product indeed,
To be safe area in need.

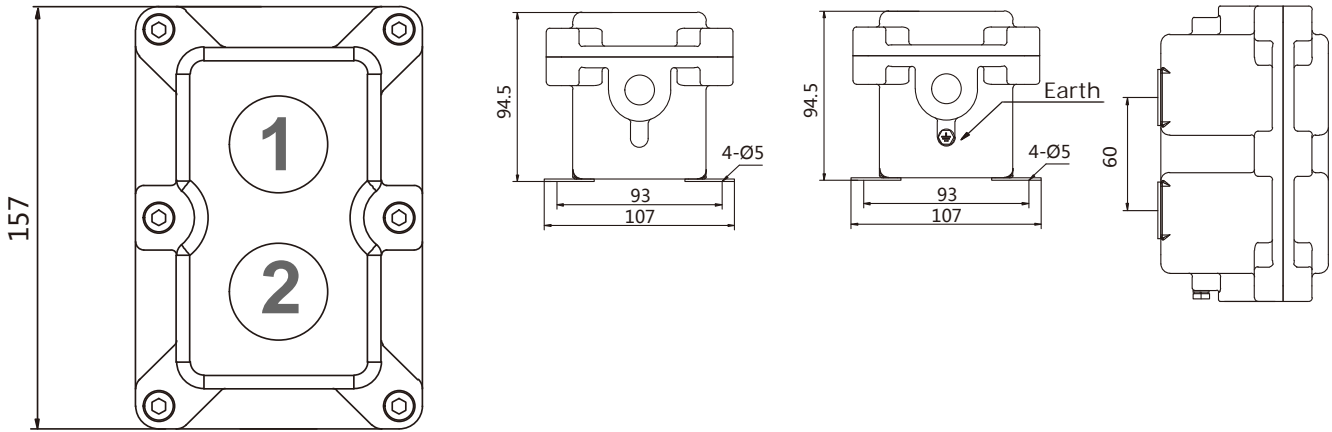
Explosion-proof enclosure MAMX-**-A*-*



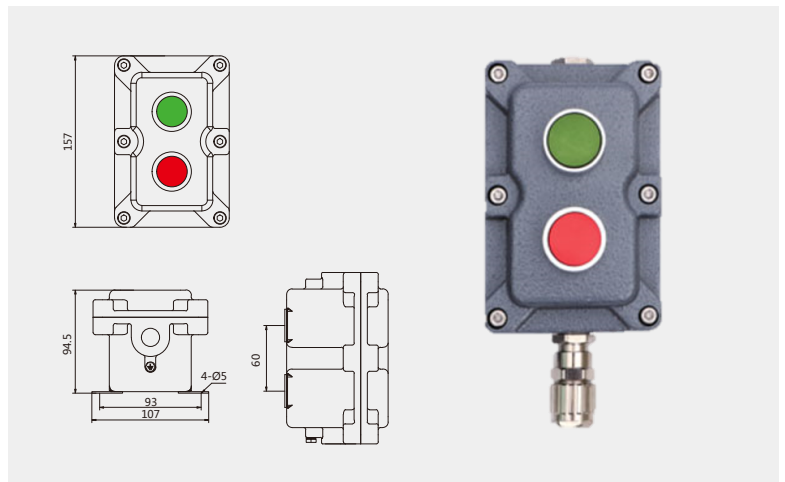
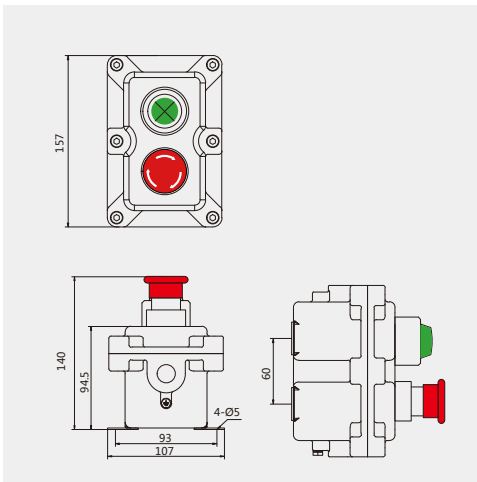
Each code corresponds to the actual external dimension drawing

MAMX--A2-***

Enclosure with 2 installation positions



Example:

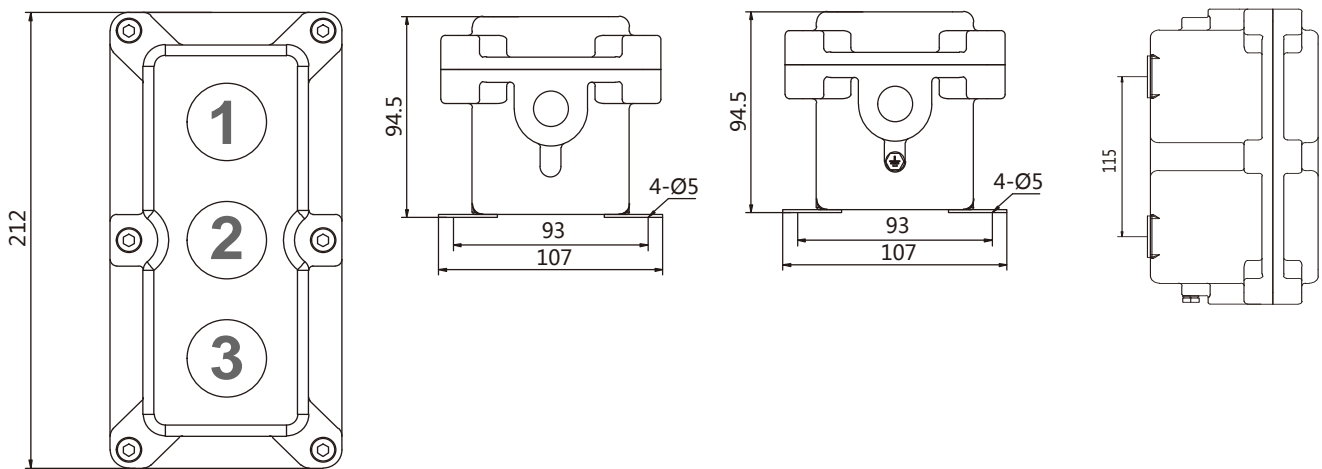


** Cable glands/ blind plugs sold separately

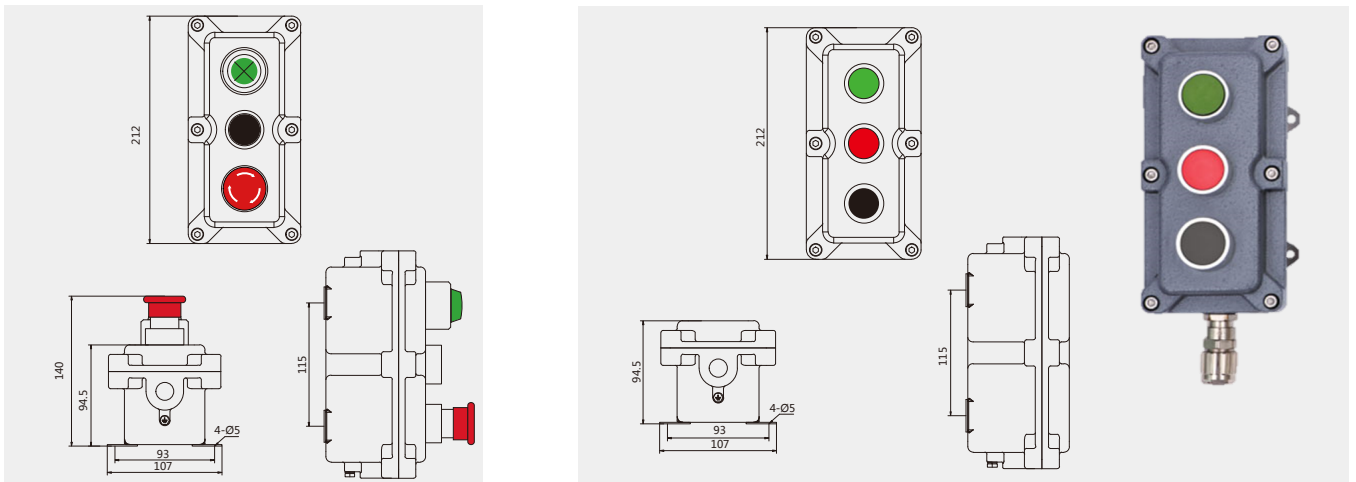
Each code corresponds to the actual external dimension drawing

MAMX^{}- A3^{-*}**

Enclosure with 3 installation positions



Example:



** Cable glands/ blind plugs sold separately



MM^{ex}
MAM EXPLOSION-PROOF